



Proportional Valve with Control Electronics

- Control valve for continuous control of liquids
- Low hysteresis and high repeatability
- Control with PWM signal
- Servo-assisted, tight closing valve

Type 6223 can be combined with...



Type 8605

Control electronics
Cable plug version



Type 8605

Digital control electronics
DIN-rail version



Type 2508

Cable plug



Type 8611

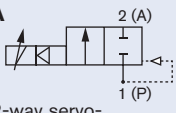
Universal controller

The valve, Type 6223, can be used to control the flow of large amounts of liquids. Low hysteresis, high repeatability and good response sensitivity guarantee good positioning behaviour. The valve closes tight. The push-over coil is easy to replace.

Technical data	
Orifice	DN 10, 13 and 20 mm
Body material	Brass, stainless steel on request
Seal material	FKM, others on request
Media	Neutral liquids
Media temperature	-10 to + 90 °C
Ambient temperature	Max. + 55 °C
Port connection	G 3/8, G 1/2, G 3/4, G 1
Viscosity	Max. 21 mm ² /s
Operating voltage	24 V DC
Power consumption	See ordering chart
Duty cycle	Continuous rating 100%
Electrical connection	Cable plug Type 2508 acc. to DIN EN 175301-803 Form A
Protection class valve	IP 65 with plug-on module or with cable plug on the valve
Installation	As required, preferably with actuator in upright position
Hysteresis	< 5%
Repeatability	< 1% FS
Sensitivity	< 1% FS
Settling time (90%)	< 200 ms
Span	1:10

Ordering chart for valves (other versions on request)

All valves with FKM sealing

Circuit function	Port connection	Orifice [mm]	Kvs value water [m ³ /h] ¹⁾	Q _{Nn} value [l/min] ²⁾	Pressure range [bar] ³⁾	Max. coil current [mA]	Power consumption [W]	Item no.
 2-way servo-assisted continuous control valve NC	G 3/8	10	1.4	1510	0.5-10	300	8	134 229
	G 1/2		1.4	1510	0.5-10	300	8	134 230
	G 1/2	13	2.5	2700	0.5-10	330	10	132 202
	G 3/4		2.5	2700	0.5-10	330	10	282 985
	G 3/4	20	5.0	5400	0.5-10	530	15	222 478
	G 1		5.0	5400	0.5-10	530	15	222 477

1) Kvs value: Flow rate value for water, measured at +20 °C and 1 bar pressure differential over a fully opened valve

2) Q_{Nn} value: Flow rate value for air with inlet pressure of 6 bar¹⁾, 1 bar pressure differential and +20 °C

3) Pressure data [bar]: Overpressure with respect to atmospheric pressure; if the differential pressure over the valve exceeds 5 bar the characteristics may change.

Please note that the valves are delivered without control electronics unit and cable plug (see accessories below).

Ordering chart for accessories

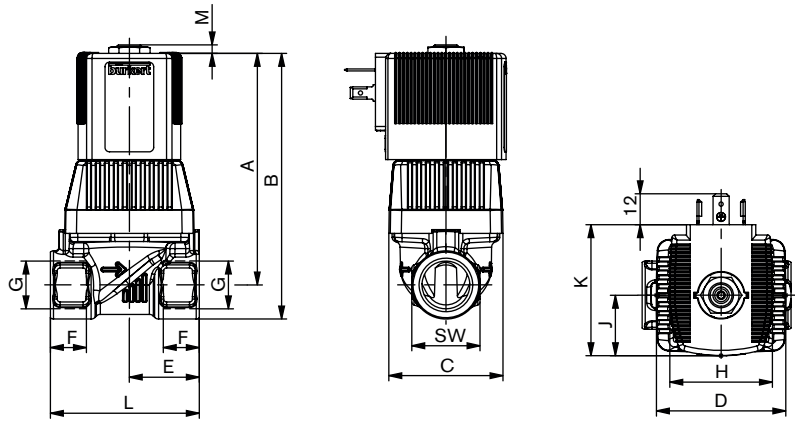
Cable plug Type 2508 according to DIN EN 175301-803 Form A

The delivery of a cable plug includes the flat seal and fixing screw

Circuitry	Voltage / frequency	Item no.
None	0 - 250 V AC/DC	008 376
None, with 3 m cable	0 - 250 V AC/DC	783 573

Electronic Control Type 8605 - please see separate datasheet

Dimensions [mm]



Orifice	A	B	C	D	E (MS/VA)	F1	G1	F2	G2	F3	G3	H	J	K	L (MS/VA)	SW	M
DN10	71.4	85.4	37.5	38	20	12	G 3/8	10.3	NPT 3/8	10.1	Rc 3/8	32	20.5	45	50	27	3.7
						14	G 1/2	13.7	NPT 1/2	13.2	Rc 1/2						
DN13	90.3	103.8	44.5	50.5	27.25/32.5	14	G 1/2	13.7	NPT 1/2	13.2	Rc 1/2	40	23.5	51	58/65	27	3.3
						16	G 3/4	14	NPT 3/4	14.5	Rc 3/4						
DN20	126.1	142.1	66	66	37	16	G 3/4	14	NPT 3/4	14.5	Rc 3/4	42	27	55.5	80	32	7.0
						18	G 1	16.8	NPT 1/2	16.8	Rc 1						

Note

You can fill out the fields directly in the PDF file before printing out the form.

Design data for solenoid control valves

▶ Please fill out this form and send to your local Bürkert Sales Centre* with your inquiry or order

Company	Contact person
Customer no.	Dept.
Address	Tel./Fax
Town / Postcode	E-Mail

<input type="checkbox"/> = Mandatory fields	<input type="text"/> Quantity	<input type="text"/> Requested delivery date
Process data		
<input type="checkbox"/> Fluid	<input type="text"/>	
<input type="checkbox"/> State of fluid	<input type="checkbox"/> liquid	<input type="checkbox"/> gaseous
<input type="checkbox"/> Fluid temperature	<input type="text"/> °C	
<input type="checkbox"/> Maximum flow rate	$Q_{nom} =$ <input type="text"/>	Unit: <input type="text"/>
<input type="checkbox"/> Minimum flow rate	$Q_{min} =$ <input type="text"/>	Unit: <input type="text"/>
<input type="checkbox"/> Inlet pressure at nominal operation	$p_1 =$ <input type="text"/>	barg
<input type="checkbox"/> Outlet pressure at nominal operation	$p_2 =$ <input type="text"/>	barg
<input type="checkbox"/> Maximum inlet pressure	$p_{1max} =$ <input type="text"/>	barg
<input type="checkbox"/> Ambient temperature	<input type="text"/> °C	
Additional specifications		
<input type="checkbox"/> Body material	<input type="checkbox"/> Brass	<input type="checkbox"/> Stainless steel
<input type="checkbox"/> Seal material	<input type="checkbox"/> FKM	<input type="checkbox"/> other <input type="text"/>

Note Please state all pressure values as **overpressures with** respect to atmospheric [barg].

To find your nearest Bürkert facility, click on the orange box → www.burkert.com

In case of special application conditions,
please consult for advice.

Subject to alteration.
© Christian Bürkert GmbH & Co. KG

1511/6_EU-en_00891754