



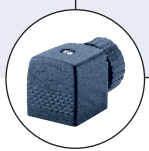


3/2-way Solenoid Valve for gases and liquids



- 3/2-way solenoid valve with manual override
- Seat valve with servo-piston, enlarged outlet
- Circuit function NC or NO
- For neutral gases and liquids
- Pivoted armature pilot drive, media-separated
- Approvals:    

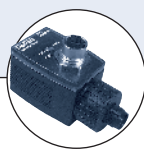
Type 0340 can be combined with...



Type 2508
Cable plug



Type 1078
Timer unit



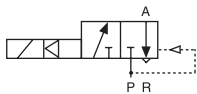
Type 2511
ASI cable plug



Type 8600
Dosing control

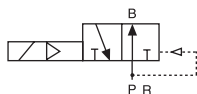
The pilot-controlled 3/2-way solenoid valve Type 0340 with smoothly operating servo-piston requires a differential pressure of 7 PSI for complete opening and closing. A diaphragm separates the operating medium from the drive. It can be used in many ways, even for dry running.
Manual override as standard.

Circuit function C



3/2-way valve, when de-energized outlet port A exhausted, with 3-way pilot control

Circuit function D



3/2-way valve, when de-energized outlet port B pressurized, with 3-way pilot control

| Technical data | |
|--|--|
| Orifice | 5/16 – 1" (DN 8.0 – 25 mm) |
| Body material | Brass |
| Seal material | NBR |
| Media | Neutral media Compressed air, water, hydraulic oil |
| Media temperature | 32°F to 194°F (0°C to +90°C) |
| Ambient temperature | Max. 131°F (+55°C) |
| Viscosity | Max. 21 cst |
| Voltage tolerance | ±10% |
| Duty cycle | 100% continuous rating |
| Electrical connection | DIN 43650 Form A |
| Protection class | IP 65 with cable plug Type 2508 or 2509 |
| Installation | As required, preferably with actuator upright |
| Flow rate C _v value water [GPM] | measured at 68°F (+20°C), 14.5 PSI (1 bar) pressure at valve inlet and free outlet |
| Pressure values [bar] | gauge pressures with respect to the prevailing atmospheric pressure |
| Response times [ms] | measured with water at valve outlet at 87 PSI (6 bar) and 68°F (+20°C) |
| Opening | pressure build-up 0 to 90% |
| Closing | pressure decay 100 to 10% |

Technical data

| Orifice [mm] | C _v value Water P→A [GPM] | Port connection A/B und P | Pressure range [PSI] | Power consumption | | | | Response times | | Weight [kg] |
|--------------|--------------------------------------|---------------------------|----------------------|-------------------|--------|----------------|--------|----------------|--------------|-------------|
| | | | | Inrush AC [VA] | DC [W] | Hold AC [VA/W] | DC [W] | Opening [ms] | Closing [ms] | |
| 8 | 1.1 | NPT 1/4 | 7 – 232 | 30 | 8 | 15/8 | 8 | 25 | 25 | 1.0 |
| 12 | 2.7 | NPT 3/8 | 7 – 232 | 30 | 8 | 15/8 | 8 | 30 | 30 | 1.2 |
| 12 | 3.0 | NPT 1/2 | 7 – 232 | 30 | 8 | 15/8 | 8 | 30 | 30 | 1.2 |
| 20 | 7.7 | NPT 3/4 | 7 – 232 | 30 | 8 | 15/8 | 8 | 40 | 40 | 2.2 |
| 25 | 11.7 | NPT 1 | 7 – 145 | 30 | 8 | 15/8 | 8 | 70 | 70 | 2.7 |

Port R is one orifice size larger than the ports A/B and P (see Dimensional Table). As a result, the flow A→R is increased by the factor 1.5 to 2 over the value in the table.

Ordering chart for valves (other versions on request)

All valves with manual override, brass body, NBR seal and cable plug

| Circuit function | Orifice [mm] | Port connection P, A/B | Port connection R | C _v value water P→A [GPM] | Pressure range* [PSI] | Voltage/frequency [V/Hz] | Item no. CE Approval only | Item no. UL listed / FM Class 1, Div 2 / CSA / CE includes 1/2" conduit plug Type 2509 |
|-------------------------------|--------------|------------------------|-------------------|--------------------------------------|-----------------------|--------------------------|---------------------------|--|
| C 3/2-way valve NC | 8.0 | NPT 1/4 | 3/8 | 1.1 | 7 – 232 | 024/DC | 451 767 | 453 286 |
| | 12 | NPT 3/8 | 3/4 | 2.7 | 7 – 232 | 120/60 | 450 881 | US01599 |
| | | | | | | 024/60 | 451 913 | – |
| | | NPT 1/2 | 3/4 | 3.0 | 7 – 232 | 024/DC | – | 453 378 |
| | | | | | | 024/60 | 451 771 | 453 290 |
| | 20 | NPT 3/4 | 1 | 7.7 | 7 – 232 | 024/DC | 450 313 | US00981 |
| | | | | | | 024/60 | 454 084 | US01548 |
| | | NPT 1 | 1 1/4 | 11.7 | 7 – 145 | 024/DC | – | 461 657 |
| | | | | | | 120/60 | 450 314 | 453 296 |
| | 25 | NPT 1 | 1 1/4 | 11.7 | 7 – 145 | 024/DC | – | 461 657 |
| 120/60 | | | | | | 450 315 | 453 300 | |
| NPT 1 | | 1 1/4 | 11.7 | 7 – 145 | 024/DC | – | 461 657 | |
| | | | | | 120/60 | 450 315 | 453 300 | |
| D 3/2-way valve NO | 8.0 | NPT 1/4 | 3/4 | 1.1 | 7 – 232 | 120/60 | 450 882 | – |
| | 12 | NPT 3/8 | 3/4 | 2.7 | 7 – 232 | 120/60 | – | 454 091 |
| | 12 | NPT 1/2 | 3/4 | 3.0 | 7 – 232 | 024/DC | – | 453 310 |
| | | | | | | 120/60 | – | 453 312 |

■ Port R is one orifice size larger than the ports A/B and P (see Dimensional Table). As a result, the flow A→R is increased by the factor 1.5 to 2 over the value in the table.

* Maximum pressure rating for UL listed valves is 174 PSI

i Further versions on request



Voltage

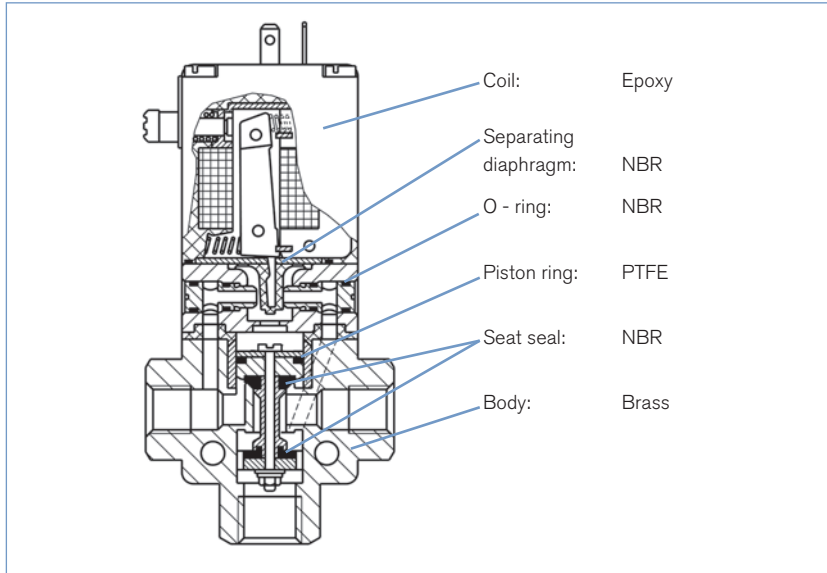
Non-standard voltages (012/DC and 110/50)



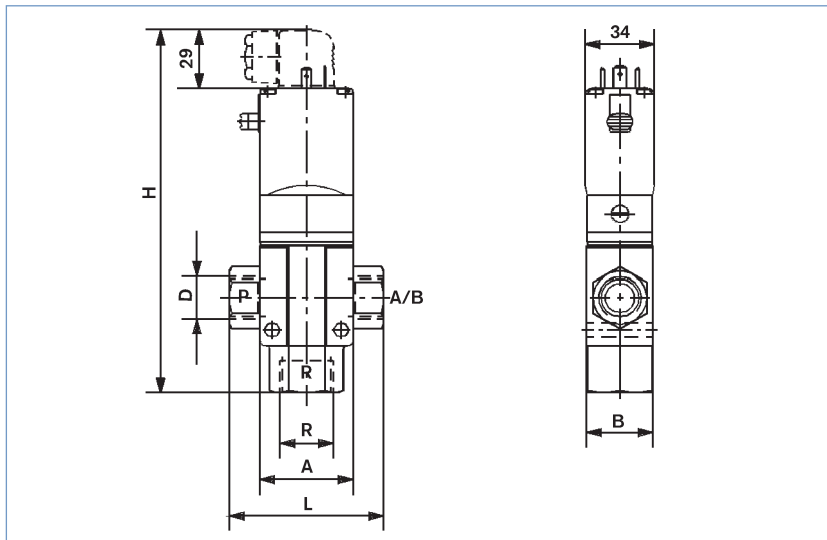
Approvals

ATEX-Ex / UL / UR / CSA

Material



Dimensions [mm]



| DN | A | B | D | H | L | R |
|----|----|----|---------|-------|-----|-----------|
| 8 | 46 | 33 | NPT 1/4 | 154.5 | 65 | NPT 3/8 |
| 12 | 46 | 33 | NPT 3/8 | 179.5 | 76 | NPT 3/4 |
| 12 | 46 | 33 | NPT 1/2 | 179.5 | 76 | NPT 3/4 |
| 20 | 62 | 52 | NPT 3/4 | 215.5 | 90 | NPT 1 |
| 25 | 82 | 60 | NPT 1 | 237.5 | 110 | NPT 1 1/4 |

This dimensional drawing shows a valve in circuit function C with port designations P, R and A/B (see figure on the front page). In circuit function D, the manual override is located above the port connection A/B.